

**MAXI**  
**scalp**  
**600**

**MAXIscalp 600**



## TOUGH JUST GOT TOUGHER

Mining for 100-carat diamonds, quarrying the world's hardest rock, recycling entire shopping centers, none of these are easy games. What separates the best players from the rest is profit. To make profit you need production and to get production you need availability.

Our design and engineering team was called upon to create the MAXIscalp 600 with exactly that in mind: maximum availability, minimum downtime. The 7m<sup>3</sup> apron feeder, large and aggressive double-deck screenbox, wide discharge conveyors and heavy-duty support structure combine perfectly with Pilot Crushtec's industry leading after-sale support to minimise downtime and keep your plant available and productive.

With the least moving parts and the toughest design of any scalping screen on the market, the MAXIscalp 600 ensures the highest availability yet. That is how we increase your production. That is how we maximise your profit. That is what we do.

The MAXIscalp 600 is the world's first modular, static scalping plant. Combining Pilot Modular's famous versatility, the ease and affordability of running a static plant and the ruggedness of a system developed in the unforgiving Northern Cape diamond mines, it will separate you from the rest of the pack.

**PILOT CRUSHTEC**®

CRUSHING AFRICA'S ROCK



FEATURES

NO TRACKS, NO TROUBLE

Being the leading supplier of mobile scalpers in southern Africa for over 20 years, we have kept a close ear to the demands of the market, leading to the development of this modular solution. Many operators do not require a fully mobile scalper and the extra costs involved can make them an unfeasible solution. With a heavy-duty skid mounted structure, the MAXIscalp 600 can still be transported with relative ease, allowing for changes of location and configuration without the extra cost of tracks and a diesel engine. This transfers to savings in capital costs as well as in overall maintenance and operating costs of the machine.

EASY ACCESS

Without the space constraints of a mobile machine, the MAXIscalp 600 offers easy access and excellent maneuverability in all areas that require regular maintenance and wear part replacement. No more stripping the entire machine just to change screen media. No more searching around for someone small enough to fit in the engine bay. Just quick, easy maintenance.

MIDGRADE AND FINES CONVEYOR

- 5m stockpile height
- 800mm wide belt width
- Multiple length options (16m standard)
- Power 9.2kW

SCREEN/SCREENBOX

- Up to 600tph
- Rapid grizzly option
- Rapid screen option
- Top deck size 4800mm x 1500mm
- Bottom deck size 3650mm x 1500mm
- Speed 900rpm
- Power 22kW

APRON FEEDER

- 7m<sup>3</sup> capacity
- Variable speed drive
- Feeder width 1120mm
- Power 18.5kW

- MIDGRADE AND FINES CONVEYOR
- 5m stockpile height
- 800mm wide
- Multiple length options (16m standard)
- Power 9.2kW

OVERSIZE CONVEYOR

- Heavy duty impact bed
- 1200mm wide
- 3.5m stockpile height
- Power 18.5kW

SKID FRAME

- Heavy duty design
- Hydraulically adjustable screen angle support frame

HERCULEAN BUILD

One look at the MAXIscalp 600 tells you all you need to know, it's massive. No weight-saving compromises have been made. There's nothing fragile about it. This machine has been built to take on the toughest material in the world and make it look easy.

MODULAR FLEXIBILITY

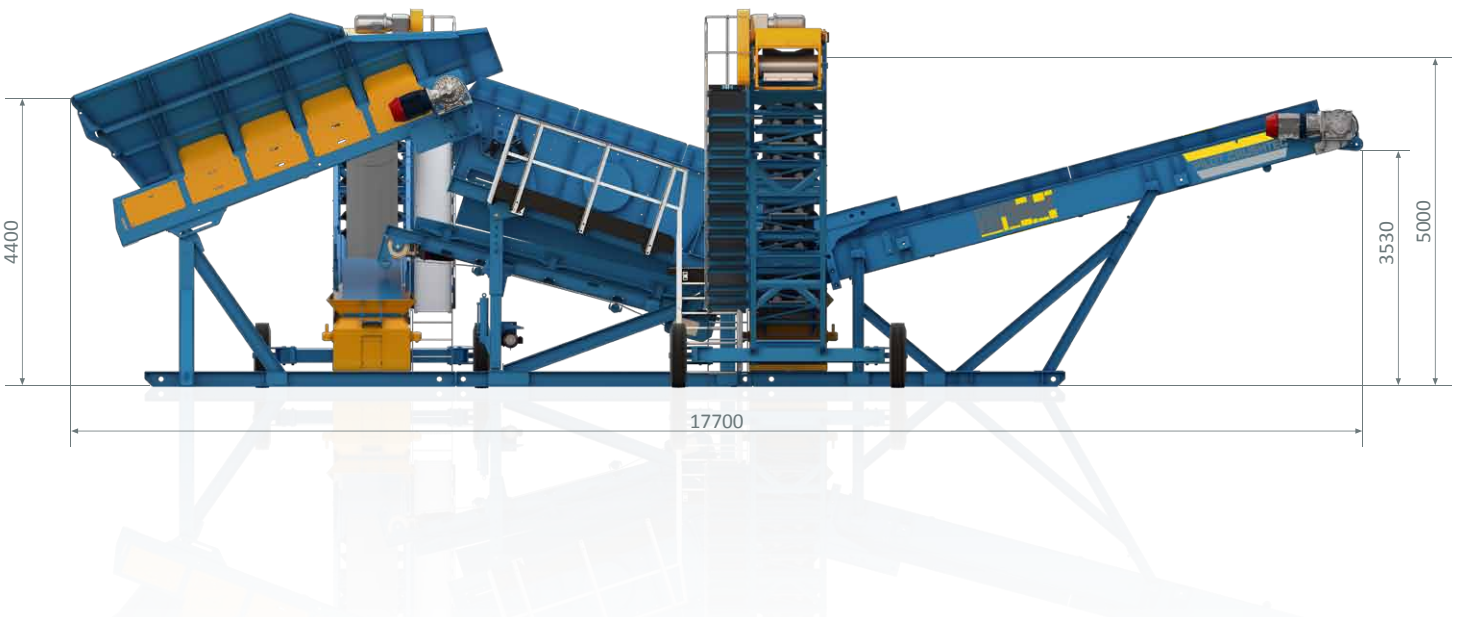
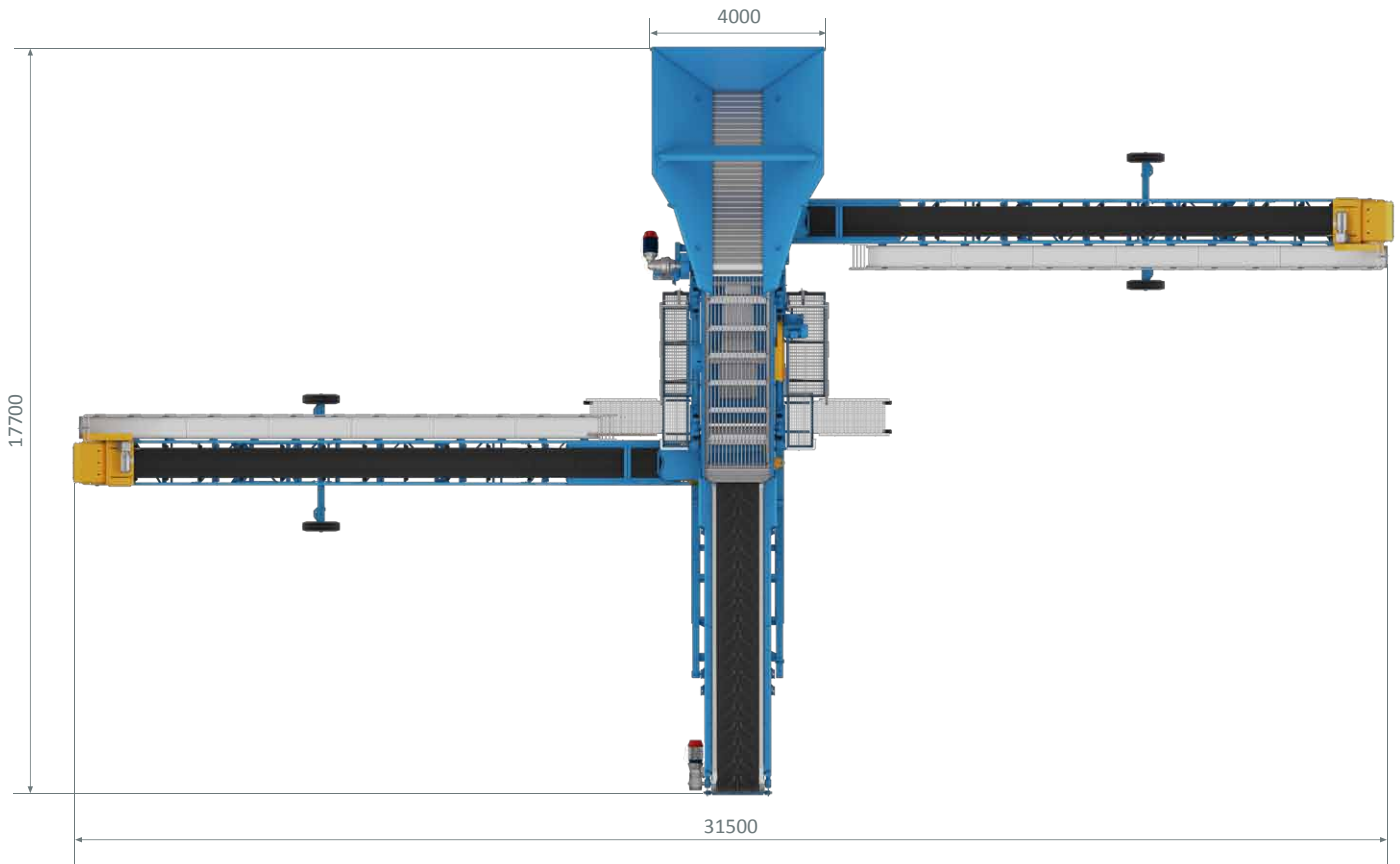
Things don't often go as planned. The MAXIscalp's modular set-up provides the flexibility to adapt to changing requirements as quickly as they come. Whether it is as simple as adjusting the feed rate of the apron feeder or something a little more extreme like removing an entire component to work in another application, the MAXIscalp 600 has the versatility to keep you producing against all odds.

LEGENDARY SUPPORT

As always, Pilot Crushtec's primary aim is to provide the best after-sales support in the industry. Purchasing the MAXIscalp 600 is more than just an acquisition; it is a partnership with a team that prides itself on keeping your operation productive and profitable.

## WORKING DIMENSIONS

The working dimensions (mm) of the MAXIsalp 600



Tel: +27 11 842 5600 Fax: +27 11 842 5610  
 sales@pilotcrushtec.com www.pilotcrushtec.com



**PILOT CRUSHTEC**®

CRUSHING AFRICA'S ROCK

All reasonable steps have been taken to ensure the accuracy of the publication, however, due to Pilot Crushtec International's policy of continual product development, we reserve the right to make changes in specifications shown herein or improvements at any time without notice or obligation. All capacities and feed sizes are provided as an application aid only. No warranties are expressed or implied.